



**12.0 Mega-Pixel**  
**H.265 Support**



Ver. 2.4 Compliant



<b>Ex Series</b> Ex Series	<b>360° IMAGE</b> 360 DEGREE	<b>IP55 DUST PROOF</b> IP66	<b>H.265 H.264 MJPEG</b> ADVANCE	<b>1/1.8"</b> SONY	<b>DEFOG</b> DEFOG	<b>AUTO MANUAL EXPOSURE</b> EXPOSURE	<b>D/N ICR</b> D/N ICR	<b>SMART IR</b> Smart IR	<b>PRIVACY MASK</b> P - Mask	<b>SENS-UP</b> Sens - UP
<b>ATW</b> ATW	<b>DIDITAL WDR</b> D-WDR	<b>BLC</b>	<b>MOTION DETECTION</b> M.Detection	<b>BUILT IN VCA</b> AI	<b>LOW BIT RATE WITH ROI</b> ROI	<b>AUDIO IN/OUT</b> AUDIO I/O	<b>TF CARD</b>	<b>ALARM IN / OUT (TTL)</b> ALARM I/O	<b>PoE IEEE 802.3AF CLASS 2</b> External PoE	<b>12 VOLT DC</b>

**MSIPV4-360IS-Ex : 360° IMAGE**

- Max resolution 12Mega(4000\*3000 @ 15fps)
- Support low bit rate, low delay and ROI enhance coding
- H. 265 high effective compression, save bandwidth and storage space
- Support multi-line OSD, OSD color can be adjusted
- High effective IR leds, long service life,IR distance can reach 15-20m
- Support Smart IR, prevent IR overexposure at night
- ICR infrared filter plate automatic switch, achieve real D/N monitoring

- 12 VDC / 24VAC / PoE (optional)
- Micro SD card (128G) local storage
- 3D digital N/R,DWDR
- Auto electronic shutter function
- Adapt different monitoring environment
- Bidirectional Audio Talk
- 1CH alarm input / 1CH alarm output
- Support GB28181, Onvif access
- Email, FTP, NTP, TCP/IP, UDP, RTSP, DDNS, NTP, PPPoE,
- HTTPS encryption transmission

# FISHEYE 360° NETWORK CAMERA

## 12.0 Mega-Pixel



Made In Japan

**MASAMITSU**  
SECURITY TECHNOLOGY OF JAPAN



Product may vary in appearance and specifications. Product available with PoE and Without PoE.

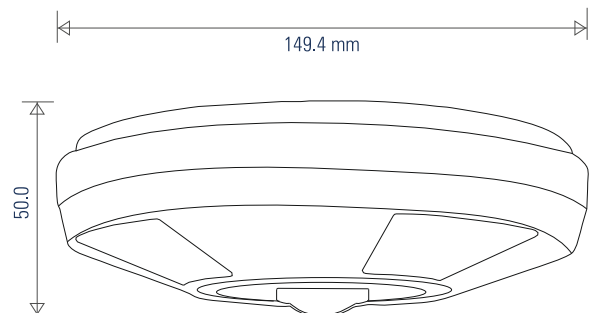
- ✔ Max resolution 12Mega(4000\*3000 @ 15fps)
- ✔ Support low bit rate, low delay and ROI enhance coding
- ✔ H. 265 high effective compression, save bandwidth and storage space
- ✔ Support multi-line OSD, OSD color can be adjusted
- ✔ High effective IR leds, long service life, IR distance can reach 15-20m
- ✔ Support Smart IR, prevent IR overexposure at night
- ✔ ICR infrared filter plate automatic switch, achieve real D/N monitoring
- ✔ 12 VDC / 24VAC / PoE (optional)
- ✔ Micro SD card (128G) local storage
- ✔ 3D digital N/R, DWDR
- ✔ Auto electronic shutter function
- ✔ Adapt different monitoring environment
- ✔ Bidirectional Audio Talk
- ✔ 1CH alarm input / 1CH alarm output
- ✔ Support GB28181, Onvif access
- ✔ Email, FTP, NTP, TCP/IP, UDP, RTSP, DDNS, NTP, PPPoE, HTTPS encryption transmission

### TECHNICAL SPECIFICATIONS

Model Name	MSIPV4-360IS-Ex 12.0 Mega
<b>VIDEO PARAMETERS</b>	
Imaging Device	1/1.8" Progressive Sony IMX226 Sensor
Total Pixels	4,000(H)X3,000(V)
Scanning System	Progressive Scan Sensor
Min. Illumination	Color: 0.1Lux@F1.2 (AGC OFF), B/W: 0.0Lux@F1.2 ( IR ON)
S/N Ratio	More than 50 dB (AGC OFF)
Video Compression	H.265, H.264, M-JPEG
Video Quality	H.265, H.264: Compression Level, Target Bit rate Level Control (CBR/VBR), M-JPEG: Quality Level Control
Data Rate Control	Video Compression level of H.265, H.264, Video Frame rate, Bit rate CBR or VBR
Dual Stream	Main stream fish-eye mode: 12MP (4000*3000) Sub-stream fish-eye mode: D1 (720*576) Main stream fish-eye+panoramic mode: Fish-eye: 2048x2048; Panoramic: 2048x2048 Sub-stream fish-eye+panoramic mode: D1 (720*576) Main stream fish-eye+3*PTZ mode: Fish-eye: 2048x2048; Panoramic: 1600x1200 Sub-stream fish-eye+3*PTZ mode: D1 (720*576) PTZ: VGA(640*480) Main stream fish-eye+4*PTZ mode: Fish-eye:2048*204 PTZ:VGA(640*480) Sub-stream fish-eye+4*PTZ mode: Fish-eye: / PTZ:VGA(640*480) Main stream fish-eye+ panoramic+3 PTZ mode: Fish-eye:2048*2048 Panoramic: 2MP (2048*1024) PTZ: 1600*1200 Sub-stream fish-eye+ panoramic+3 PTZ mode: Fish-eye:Panoramic:D1 (720*576) PTZ: VGA(640*480)
<b>LENS PARAMETER</b>	
Lens Type	Fisheye Lens
<b>OTHER FUNCTIONS</b>	
D-WDR	Off/Low/Middle/High
Digital WDR	Support All Models
Day&Night	True Day Night with ICR
DNR	3DNR
Motion Detection	4 Area Selectable Support
Privacy Masking	4 Area Selectable Support
Gain Control	Max. AGC to 255
White Balance	Auto White Balance (AWB)
Electronic Shutter	Auto/A,FLK/Manual
Flip/Mirror	Support All Models
<b>IR PARAMETERS WITH SELECTION OF LENS</b>	
IR LED	Split Beam 45° / 60° Customized SMT IR LED
IR Distance & Lens	15~20 mt.
<b>NETWORK PARAMETERS</b>	
Ethernet	RJ45 for 10BASE-T/100BASE-TX PoE
Audio	1 RCA Audio In-Put / 1 RCA Audio Out-Put

Video	1 Ch. 1.0 Vp-p Composite Video Out-Put
Alarm	1 Ch. Alarm Input / 1 Ch. Alarm Output
TF Card	Support Max. 128 GB , Micro SD ( SDHC / SDXC )
Reset	Support
RS-485	Support
Protocol	HTTP, PPPoE, UPNP, FTP, DDNS, VPN, RTSP, etc.
ONVIF Conformance	Support ONVIF Profile S Ver.2.4
CMS Software	Support
<b>ENVIRONMENTAL PARAMETERS</b>	
Temperature/ Humidity	-10°C to +50°C , 0% to 90% (non-condensing)
Ingress Protection	Dustproof Housing (IP55)
<b>ELECTRICAL PARAMETERS</b>	
Power over Ethernet	Power over Ethernet IEEE 802.3af Class 2 (Optional)
Input Voltage/ Current	190mA/DC12V; 330mA/DC12V with IR LED ON
Power Consumption	Day:1.92W Night:3.96W
<b>MECHANICAL PARAMETERS</b>	
Color/ Material	Body: White Epoxy Spray Paint / Aluminum Dai Cast / PC Dome Cover
Dimensions	149.4 mm (D) X 50.0 mm (H)
Weight	Approx. 500 g

### DIMENSIONS



Unit: mm

The above mentioned technical drawings are for reference only.  
All dimensions are in millimeters and approximate.

Masamitsu Technologies may, at any time and without notice, make changes or improvements to the products and services offered and/or cease producing or commercializing them. The Masamitsu logo and trademark are properties of Masamitsu Technologies.

Authorised Dealer / Representative.

**MASAMITSU**  
SECURITY TECHNOLOGY OF JAPAN

<http://www.masamitsutech.net>

Print V1.0 2K20



MASAMITSU V4 APP